



STREAM

1



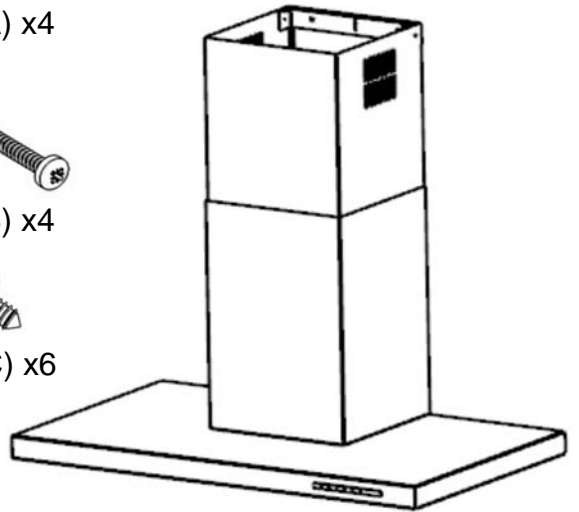
(A) x4



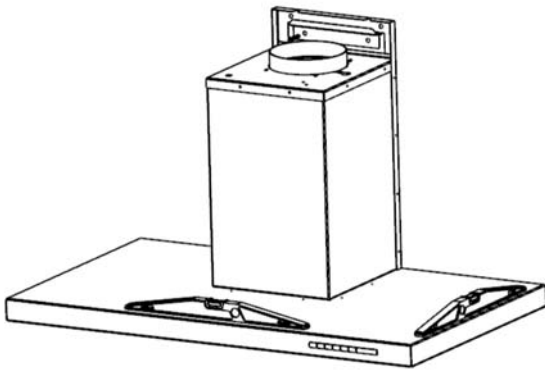
(B) x4



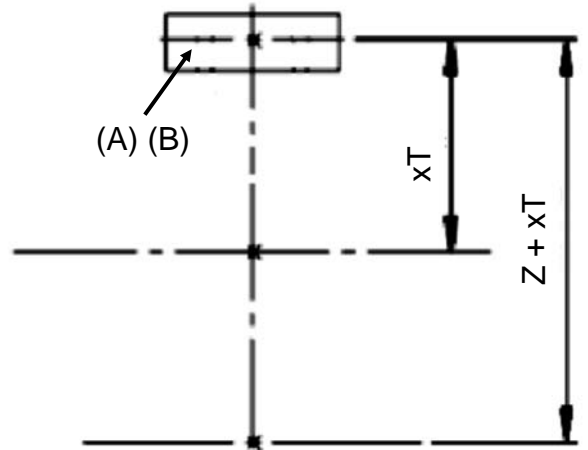
(C) x6



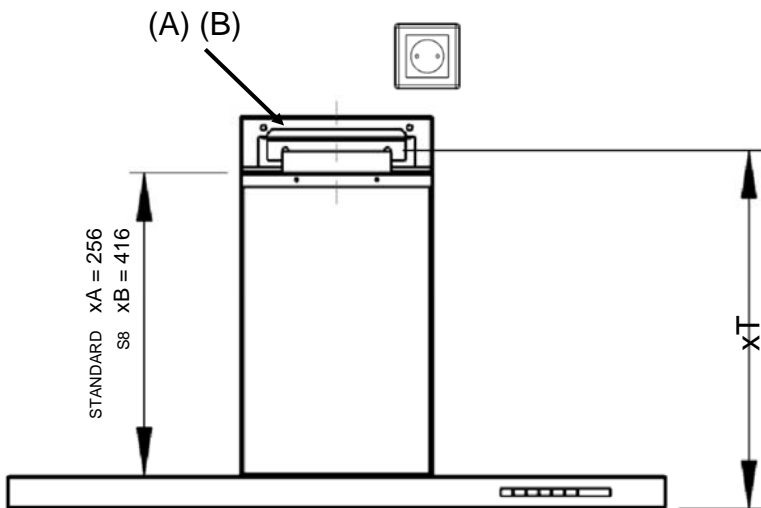
2



3



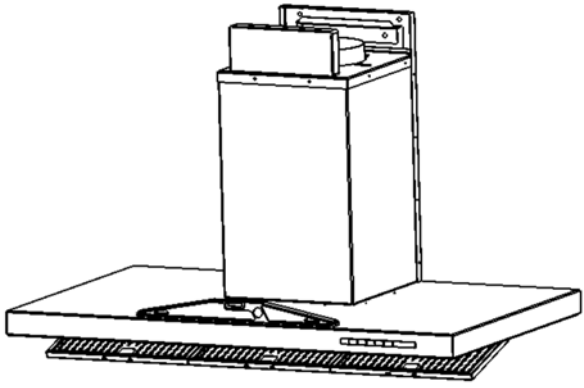
4



STANDARD
S8
xA = 256
xB = 416

	xT	
	xA	xB
STREAM	356	516

5



6

